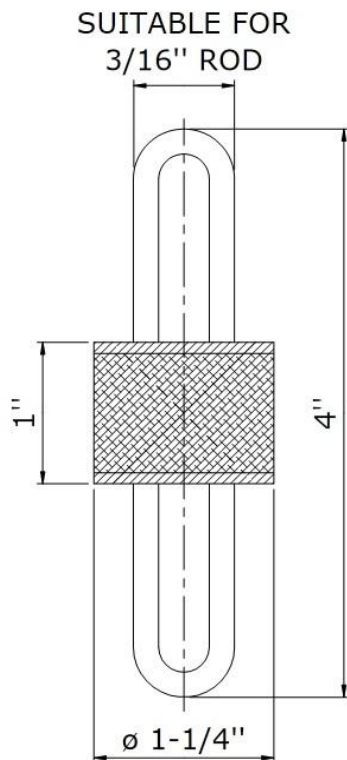
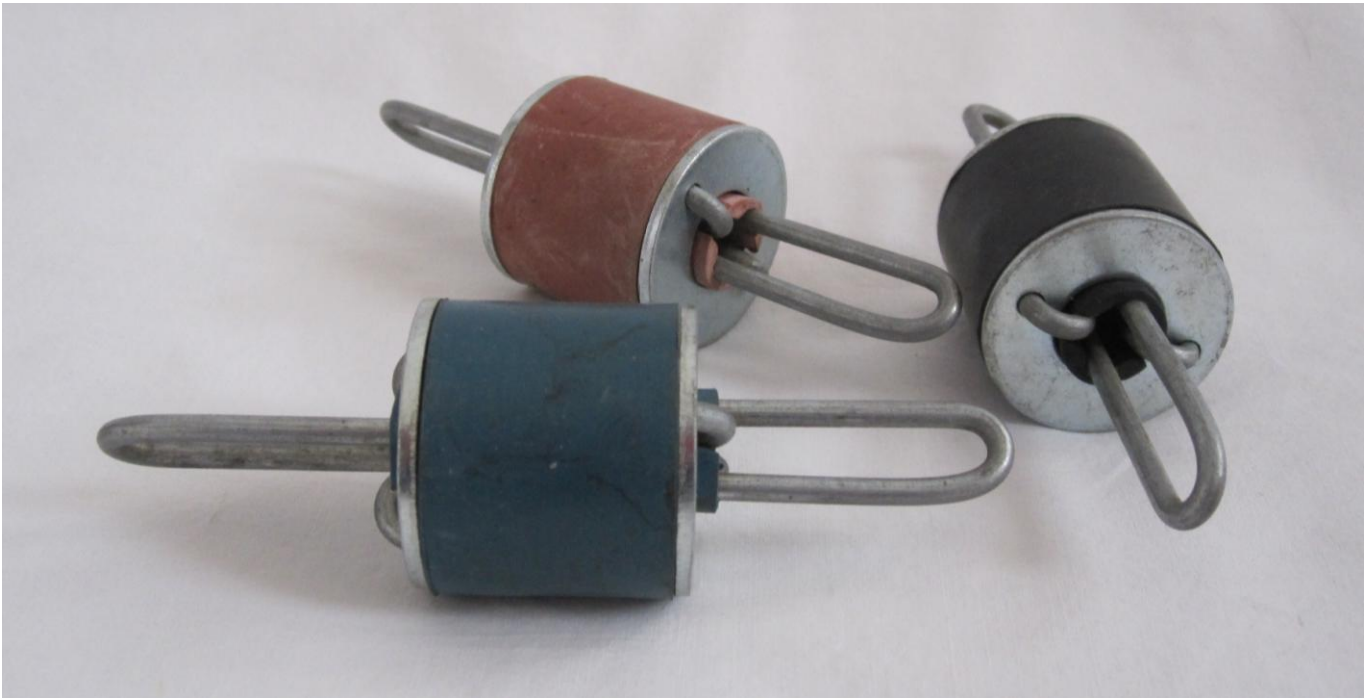




RUBBER IN SHEAR HANGER ELEMENT (HE Series Double Deflection)



NOTES:

- Nuts, washer & rods by others
- Do not exceed maximum load by more than 5%

FEATURES:

- Oil and water resistant element
- High deflection, low natural frequency
- Elements color-coded for easy field verification

ISOLATOR MODEL	MAX. LOAD (LBS)	DEFLECTION (INCHES)	COLOR
HE-1	65	1/5	RED
HE-2	120	1/5	BLACK
HE-3	200	1/5	BLUE