



SPRING MOUNTS (Type "Y-1-200" Series 2" Deflection)

Type "Y-1" series spring mounts with two inch deflection solves critical vibration problems. These mounts are preferred over the one inch deflection mounts and over most rubber mounts due to their higher static deflection. These mounts are normally recommended for building structures where negligible vibration transmission to the building is required. "Y-1" type spring mounts with two inch deflection are designed for noise and vibration control applications in critical areas on concrete.



YE – 1 (Bolt Top)



YF – 1 (Flat Top)

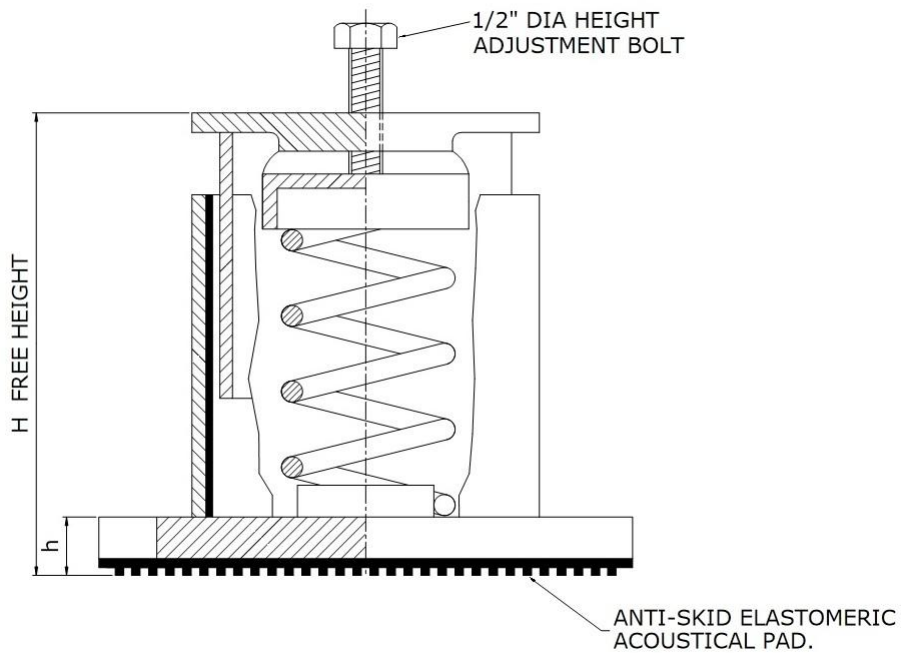
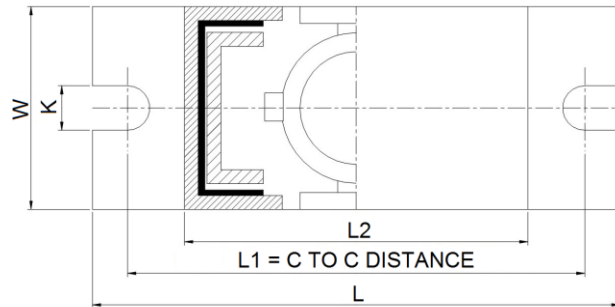


YP – 1 (Pin Top)



YN-1 (Neoprene Top)

Above products will also be available in blue



* Note that the above drawing is with YE-1 Setup

MODEL	ADJUSTMENT	DIMENSION IN INCHES						
		L	L1	L2	W	K	H	h
YE-1 (BOLT TOP)	EXTERNAL	7-1/2	6-1/2	4-7/8	2-7/8	5/8	6-1/2	11/16
YP-1 (PIN TOP)	INTERNAL	7-1/2	6-1/2	4-7/8	2-7/8	5/8	6-7/8	11/16
YF-1 (FLAT TOP)	INTERNAL	7-1/2	6-1/2	4-7/8	2-7/8	5/8	6-7/8	11/16
YN-1 (NEOPRENE TOP)	INTERNAL	7-1/2	6-1/2	4-7/8	2-7/8	5/8	7-1/8	11/16



x = (Model Types E, P, F or N see above)

ISOLATOR MODEL	RATED LOAD (LBS)	RATED DEFLECTION (INCH)	COLOR	
			MAIN	STRIPE
Yx-1-200	100	2.25	Silver	Blue
Yx-1-201	200	2.25	Silver	Black
Yx-1-202	375	2.0	Silver	Red
Yx-1-203	500	2.0	Silver	Green
Yx-1-204	714	2.0	Silver	Gray
Yx-1-205	1430	2.0	Silver	White
Yx-1-207	1892	2.0	Silver	Yellow
Yx-1-200-206	690	2.0	Silver/Silver	Blue/White
Yx-1-201-206	778	2.0	Silver/Silver	Black/White
Yx-1-202-206	976	2.0	Silver/Silver	Red/White
Yx-1-203-206	1100	2.0	Silver/Silver	Green/White
Yx-1-204-206	1314	2.0	Silver/Silver	Gray/White
Yx-1-205-206	2030	2.0	Silver/Silver	White/White
Yx-1-207-206	2492	2.0	Silver/Silver	Yellow/White

FEATURES:

The Y-1 features a three piece cast iron housing for the spring. The mounts are provided with slotted mounting holes and a non-skid elastomeric acoustic pad on the base for bolting to the floor. Resilient elastomeric snubbers on the inner panel prevent metal to metal contact and allow the springs to function properly. These mounts have a built in leveling device (external or internal). These spring mounts can also be supplied with flat top or non-skid neoprene top in case of internal level adjustment.

APPLICATION:

For air conditioning equipments, compressors, air handling units, centrifugal fans, pumps, chillers and similar applications.

NOTE:

Adjust the mounting so that the upper housing clears the lower housing by at least 1/4" but not more than 1/2".