

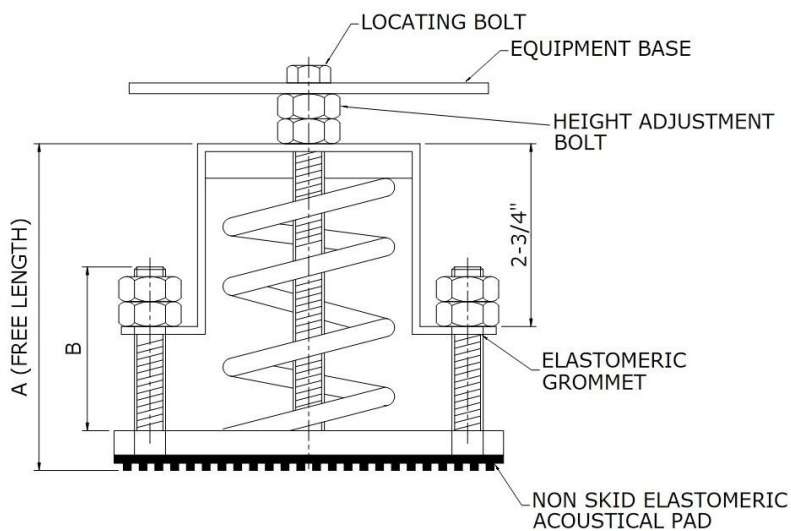


RESTRAINED SPRING MOUNTS

(SMR-2-100 and 200 Series - 1" and 2" Deflection)

SMR-2 series are Restrained Spring Mounts with Restricto assembly that limits vertical movement due to reduced loads or external forces (wind loads). These mounts are more suitable and effective when used for equipment with significant variations in installed weight and operating weight and equipments mounted on roofs.

SMR-2 series spring mounts are unboxed laterally stable steel springs welded to top and bottom steel plates.



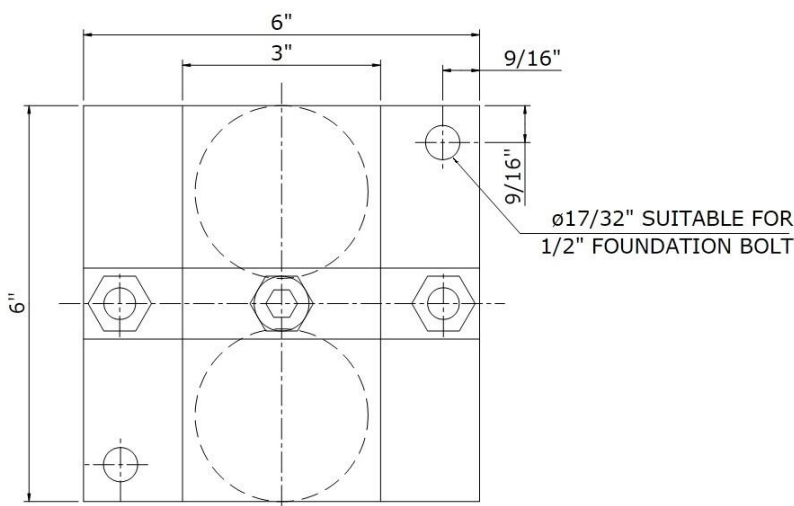
Isolator Series		100	200
A	in	4-7/8	6-1/4
B	in	2-1/2	3-7/8

APPLICATIONS:

- Cooling Towers
- Air Handling Units
- Chillers
- Condensing Units
- Boilers

FEATURES:

- Mounting holes are standard
- Lower Steel Plate: Neoprene acoustical friction pad
- Upper Load Plate: Leveling Bolt Assembly
- Spring: Hot Dip Galvanized



100 and 200 Series SMR-2 Isolator models listed on next sheet



SMR-2-100 SERIES: 1" DEFLECTION

ISOLATOR MODEL	RATED LOAD (LBS)	RATED DEFLECTION (INCH)	COLOR	
			MAIN	STRIPE
SMR-2-130	250	1.3	SILVER	BROWN
SMR-2-131	450	1.3	SILVER	ORANGE
SMR-2-132	650	1.2	SILVER	GREEN
SMR-2-133	900	1.2	SILVER	RED
SMR-2-134	1200	1.2	SILVER	BLACK
SMR-2-135	1500	1.1	SILVER	WHITE
SMR-2-136	1800	1.0	SILVER	GRAY
SMR-2-137	2200	0.9	SILVER	BLUE
SMR-2-138	3600	1.0	SILVER	GOLD
SMR-2-139	5000	1.0	SILVER	NIL
SMR-2-130-140	1444	1.0	SILVER	BROWN
SMR-2-131-140	1598	1.0	SILVER	ORANGE
SMR-2-132-140	1792	1.0	SILVER	GREEN
SMR-2-133-140	2000	1.0	SILVER	RED
SMR-2-134-140	2250	1.0	SILVER	BLACK
SMR-2-135-140	2614	1.0	SILVER	WHITE
SMR-2-136-140	3050	1.0	SILVER	GRAY
SMR-2-137-140	3326	0.9	SILVER	BLUE
SMR-2-138-140	4850	1.0	SILVER	GOLD
SMR-2-139-140	6250	1.0	SILVER	NIL

SMR-2-200 SERIES: 2" DEFLECTION

ISOLATOR MODEL	RATED LOAD (LBS)	RATED DEFLECTION (INCH)	COLOR	
			MAIN	STRIPE
SMR-2-200	200	2.25	SILVER	BLUE
SMR-2-201	400	2.25	SILVER	BLACK
SMR-2-202	750	2.0	SILVER	RED
SMR-2-203	1000	2.0	SILVER	GREEN
SMR-2-204	1428	2.0	SILVER	GRAY
SMR-2-205	2860	2.0	SILVER	WHITE
SMR-2-207	3784	2.0	SILVER	YELLOW
SMR-2-200-206	1380	2.0	SILVER	BLUE
SMR-2-201-206	1556	2.0	SILVER	BLACK
SMR-2-202-206	1952	2.0	SILVER	RED
SMR-2-203-206	2200	2.0	SILVER	GREEN
SMR-2-204-206	2628	2.0	SILVER	GRAY
SMR-2-205-206	4060	2.0	SILVER	WHITE
SMR-2-207-206	4984	2.0	SILVER	YELLOW