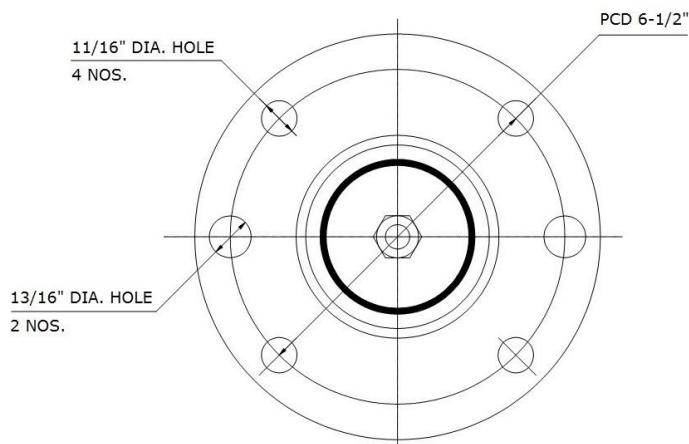
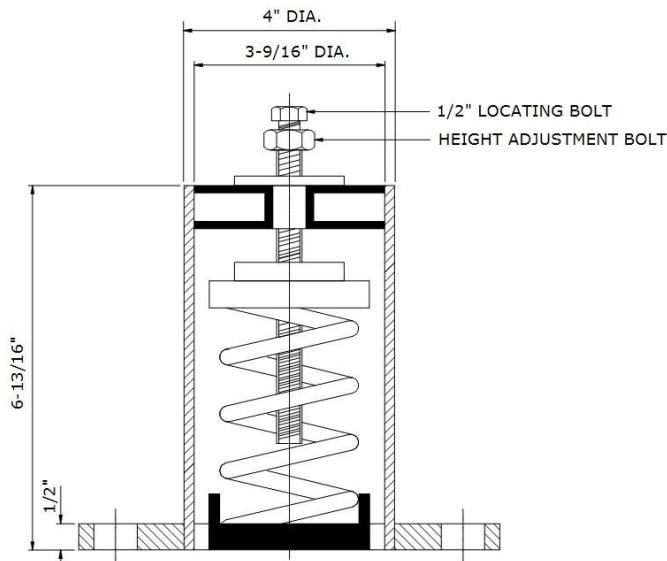




SEISMIC SPRING MOUNTS (SS-1-100 and 200 Series – 1” and 2” Deflection)

SS-1-100 Seismic spring mounts have a heavy duty steel spring isolator unit with built in all directional snubbing. This model is designed to withstand minimum seismic forces of approximately 2G even at maximum rated loads, making it suitable and safe for most critical applications (including zone 4 areas).



SPECIAL FEATURES:

- Built-in Leveling device
- Mounting holes furnished as standard
- Certified to withstand 1-G force
- Color-coded springs for field verification
- Housing: Rugged zinc metalized finish
- Springs: Hot Dip Galvanized
- Snubbing Element: High Quality Neoprene

APPLICATIONS:

Air Conditioning equipment such as Compressors, Air Handling Units, Fans, Pumps and Chillers.

NOTES:

“G” Rating is based on attachment to steel. For concrete, ratings will be controlled by the attachment method and the concrete strength.



SS-1-100 SERIES: 1" DEFLECTION

ISOLATOR MODEL	RATED LOAD (LBS)	RATED DEFLECTION (INCH)	COLOR		SEISMIC "G" RATING
			MAIN	STRIPE	
SS-1-130	125	1.3	Silver	Brown	48.75
SS-1-131	225	1.3	Silver	Orange	26.98
SS-1-132	325	1.2	Silver	Green	18.73
SS-1-133	450	1.2	Silver	Red	13.49
SS-1-134	600	1.2	Silver	Black	10.11
SS-1-135	750	1.1	Silver	White	8.09
SS-1-136	900	1.0	Silver	Gray	6.74
SS-1-137	1100	0.9	Silver	Blue	5.52
SS-1-138	1800	1.0	Silver	Gold	3.37
SS-1-139	2500	1.0	Silver	Nil	2.42
SS-1-130-140	722	1.0	Silver	Brown	8.41
SS-1-131-140	799	1.0	Silver	Orange	7.60
SS-1-132-140	896	1.0	Silver	Green	6.77
SS-1-133-140	1000	1.0	Silver	Red	6.07
SS-1-134-140	1125	1.0	Silver	Black	5.39
SS-1-135-140	1307	1.0	Silver	White	4.64
SS-1-136-140	1525	1.0	Silver	Gray	3.98
SS-1-137-140	1663	0.9	Silver	Blue	3.65
SS-1-138-140	2425	1.0	Silver	Gold	2.50
SS-1-139-140	3125	1.0	Silver	Nil	1.94

SS-1-200 SERIES: 2" DEFLECTION

ISOLATOR MODEL	RATED LOAD (LBS)	RATED DEFLECTION (INCH)	COLOR		SEISMIC G' RATING
			MAIN	STRIPE	
SS-1-200	100	2.25	Silver	Blue	61.31
SS-1-201	200	2.25	Silver	Black	30.42
SS-1-202	375	2.0	Silver	Red	16.18
SS-1-203	500	2.0	Silver	Green	12.15
SS-1-204	714	2.0	Silver	Gray	8.50
SS-1-205	1430	2.0	Silver	White	4.24
SS-1-207	1892	2.0	Silver	Yellow	3.20
SS-1-200-206	690	2.0	Silver/Silver	Blue/White	8.79
SS-1-201-206	778	2.0	Silver/Silver	Black/White	7.81
SS-1-202-206	976	2.0	Silver/Silver	Red/White	6.22
SS-1-203-206	1100	2.0	Silver/Silver	Green/White	5.52
SS-1-204-206	1314	2.0	Silver/Silver	Gray/White	4.61
SS-1-205-206	2030	2.0	Silver/Silver	White/White	2.99
SS-1-207-206	2492	2.0	Silver/Silver	Yellow/White	2.43