



## SEISMIC RESTRAINED MOUNTS (ASRM-200 Series 2" Deflection)

**ASRM** Seismic Restrained Spring Mounts are heavy duty steel housing with built in all directional snubbing. The snubbing element is a high quality molded neoprene. The steel housing and springs are galvanized which is suitable for outside application. The isolators are used in seismic applications where vertical and horizontal restraint is required due to reduced loads or external forces (wind loads). The springs sit in a neoprene acoustical cup which eliminates metal to metal contact. The in-built leveling bolt assembly passes through the elastomeric grommet that eliminates metal to metal contact. The mounting holes are furnished as standard; they are properly sized and spaced to provide maximum stability.

### FEATURES:

- Built-in leveling device
- Anti-skid elastomeric acoustical cup
- Color coded springs for easy field verification
- Mounting holes furnished as standard
- Galvanized steel housing, springs and hardware
- Large diameter laterally stable springs

### APPLICATIONS:

Air conditioning equipment such as:

- Compressors
- Air handling units
- Fans
- Pumps
- Chillers
- Inertia Base

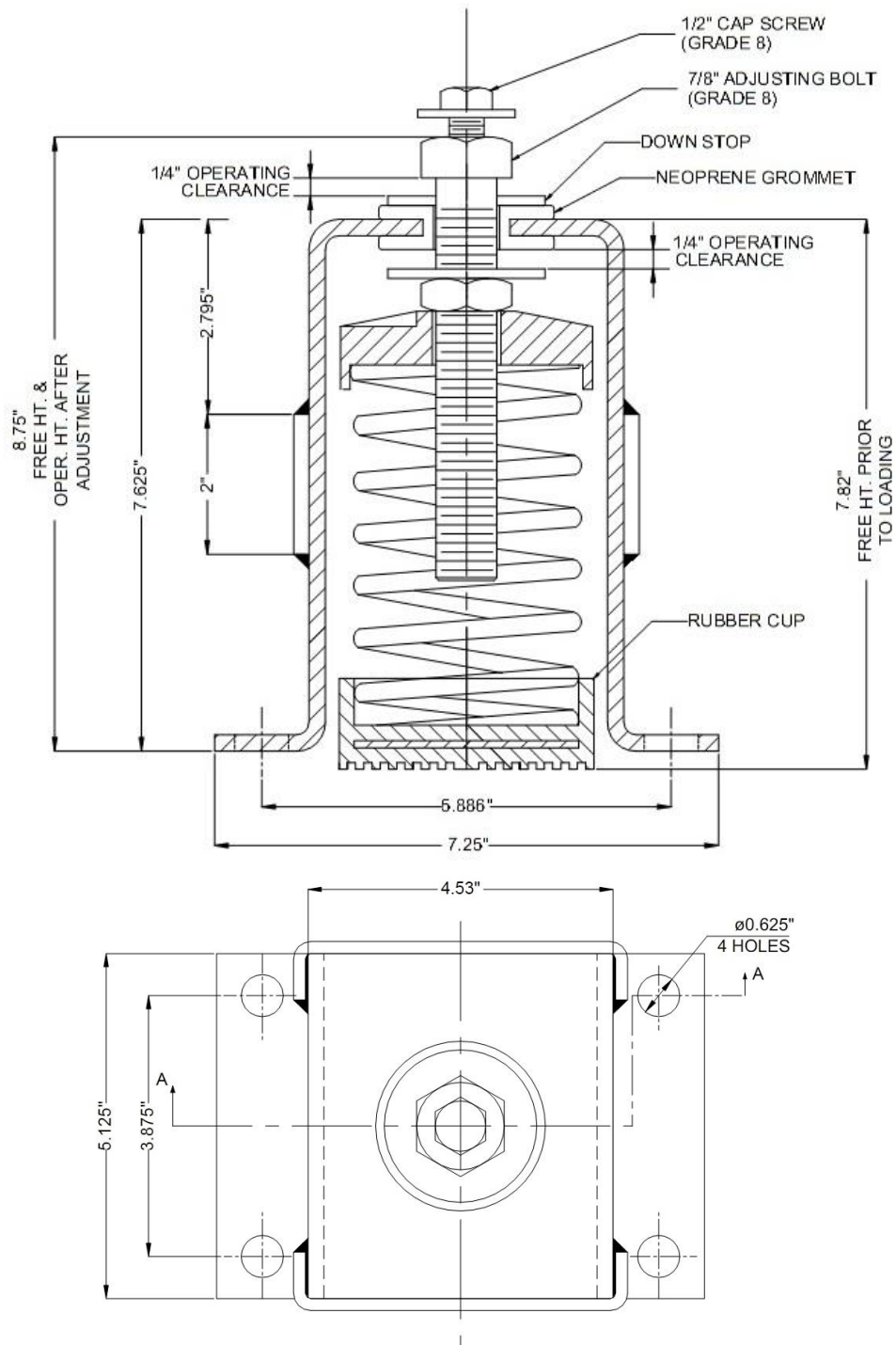


*Product drawing on following page*

ISOLATOR MODEL	RATED LOAD (LBS)	RATED DEFLECTION (INCH)	COLOR	
			MAIN	STRIPE
ASRM-254	240	2.0	Silver	Purple
ASRM-255	330	2.0	Silver	Brown
ASRM-256	460	2.0	Silver	Red
ASRM-257	686	2.0	Silver	Orange
ASRM-256-203	966	2.0	Silver	Red / Green
ASRM-256-204	1174	2.0	Silver	Red / Gray
ASRM-257-204	1400	2.0	Silver	Orange / Gray / Gray
ASRM-257-204-208	1550	2.0	Silver	Orange / Gray / Orange
ASRM-257-204-209	1680	2.0	Silver	Orange / Gray / Brown
ASRM-256-205	1890	2.0	Silver	Red / White
ASRM-257-205	2116	2.0	Silver	Orange / White
ASRM-256-207	2292	2.0	Silver	Red / Yellow
ASRM-257-207	2518	2.0	Silver	Orange / Yellow
ASRM-257-207-208	2668	2.0	Silver	Orange / Yellow / Orange
ASRM-257-207-209	2798	2.0	Silver	Orange / Yellow / Brown



## ASRM – 200 SERIES Seismic Restrained Mount



### NOTES:

- All dimensions are in inches
- Not to Scale
- Drawing shows single spring setup (Eg. ASRM-254)