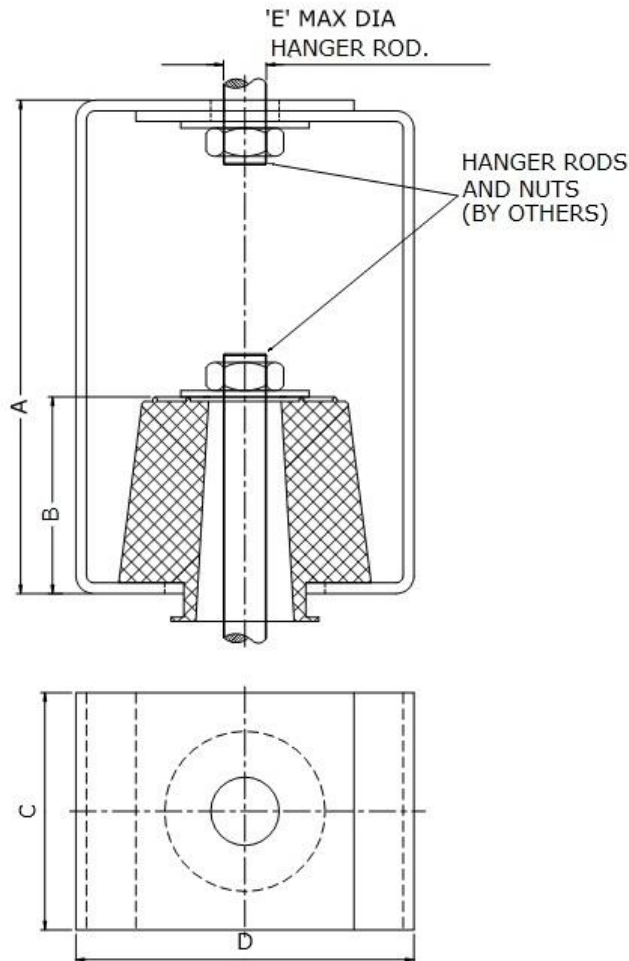




RUBBER IN SHEAR HANGER (NHD Series Double Deflection)

NHD Series Hangers are neoprene elements housed in sturdy steel brackets. The element includes top and bottom steel plates for uniform load distribution. All elements are color coded for easy identification. The element incorporates a projected collar to prevent metal to metal contact between the rod and bracket. The NHD series hangers are used for hanging machines such as fan coil units, fans etc.



NOTES:

- Bracket: Blue Powder Coated
- Hanger Rods and Nuts not included
- DO NOT exceed maximum load by more than 5.0 %
- Model dimensions and details listed on next page

FEATURES:

- Steel Plates are embedded in the element for uniform loading
- Element is oil and water resistant



ANDRE HVAC International Inc

HANGER MODEL	MAX LOAD (LBS)	DEFLECTION (INCHES)	HANGER DIMENSIONS (INCHES)					COLOR
			A	B	C	D	E	
NHD-1-A	30	0.4	3	1-3/8	2	2-1/4	3/8	BLUE
NHD-1-B	40	0.4	3	1-3/8	2	2-1/4	3/8	RED
NHD-1-C	70	0.4	3	1-3/8	2	2-1/4	3/8	GREEN
NHD-1-D	115	0.4	3	1-3/8	2	2-1/4	3/8	BLACK
NHD-2-A	165	0.5	4-1/2	1-7/8	2-1/4	3	1/2	BLUE
NHD-2-B	235	0.5	4-1/2	1-7/8	2-1/4	3	1/2	RED
NHD-2-C	375	0.5	4-1/2	1-7/8	2-1/4	3	1/2	GREEN
NHD-2-D	545	0.5	4-1/2	1-7/8	2-1/4	3	1/2	BLACK
NHD-3-C	745	0.5	6	3-1/8	3-1/2	4	1/2	GREEN
NHD-3-D	1245	0.5	6	3-1/8	3-1/2	4	1/2	BLACK
NHD-4-B	2240	0.5	6	3-1/8	4	4-1/2	5/8	RED
NHD-4-C	3000	0.5	6	3-1/8	4	4-1/2	5/8	GREEN
NHD-4-D	4000	0.5	6	3-1/8	4	4-1/2	5/8	BLACK